

功能：

- 本體經調質及熱處理，增加本身之強度及增長使用壽命。
- 前端採用純質鎢鋼，增強頂心前端之精度與壽命。
- 鎢鋼與柄部之結合採國外先進技術，扭力特強。
- 鎢鋼之頂徑大，可適用於多樣孔徑之中心。
- 為適應客戶多層需要，標準規格中亦採用多種長短大小規格，方便您做多項條件之稱心選擇。
- 先端 60°與柄部斜度同心度在 0.003mm 以內，保證與您的機台或產品相得益彰，隨心所欲。

Features :

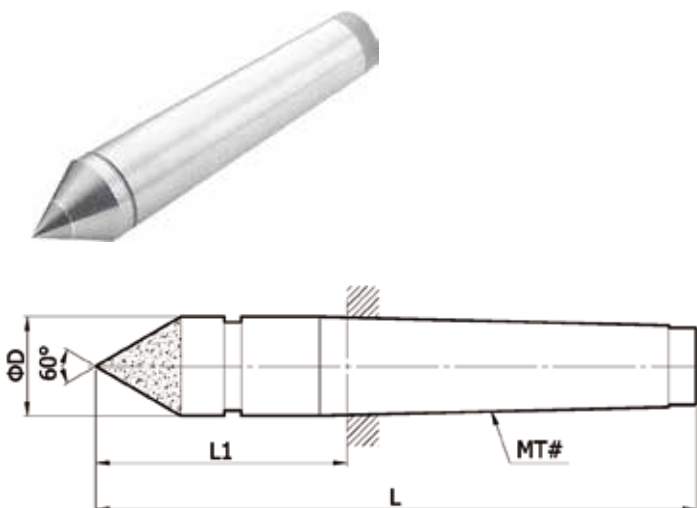
- The shank is tempered and hardened before grinding. Extends its strength and life.
- The inserted tungsten-carbide tip enhances the accuracy and life.
- The joint of tungsten-carbide tip and body is using advanced technology to ensure strong torsion force.
- The large diameter of tungsten-carbide tip provides wide range of center holes.
- Providing various specifications in standard series to meet various user's demands.
- The concentricity is in accordance with ISO to assure well compatibility with your machine.

L 型 Model L 偏擺精度(Run out) ≤ 0.003

全周式小徑鎢鋼頂心
適用於小徑中心孔工件

FULL CENTER WITH MEDIUM CARBIDE TIP.

Suit for medium center bore.



| 訂購編號 ORDER NO | MT# | ϕd | L1 | L |
|------------------|-----|----------|----|-------|
| MT2L180-46 | 2 | 18 | 46 | 110 |
| MT2L240-46 | | 24 | | |
| MT3L241-44 | 3 | 24.1 | 44 | 125 |
| MT3L241-69 | | | 69 | 150 |
| MT4L316-58 | 4 | 31.6 | 58 | 160.5 |
| MT4L316-78 | | | 78 | 180.5 |
| MT4L316-98 | | | 98 | 200.5 |